

KATO CES

Zero Tail Swing Mini Excavator

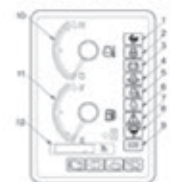
VX HD17



Comfortable EVOLUTION

COMFORTABLE OPERATOR ROOM AND EASY MANIPULATION

- Easily visible monitor



- Travel speed indicator
- Glow indicator
- Battery charge warning indicator
- Engine oil pressure warning indicator
- Water temperature warning indicator
- Water temperature gauge
- Fuel gauge
- Hour meter



High Performance EVOLUTION

HIGH POWER DIGGING AND QUICK RESPONSE

- Digging force increased by 10%
*In comparison with our former model
- Quickly responsive 4-pump system

EASY MAINTENANCE

- Large covers for easier access



Large fuel filter



Water-separator



* The warning indicator turns on if water is collected up to the specified level.

Safety EVOLUTION

WORLD-STANDARD SAFETY

- ROPS/TOPS Compliance Operator Canopy
- ROPS/TOPS Canopy (std.)



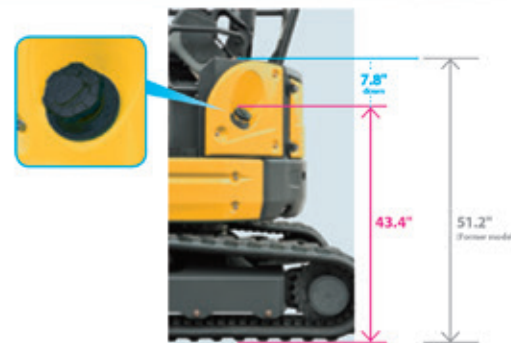
ERROR-PREVENTION

- All-lever lock
- Neutral engine-start
- Auto-parking brake in swing & traction motors



All operations are blocked when the lever is raised.

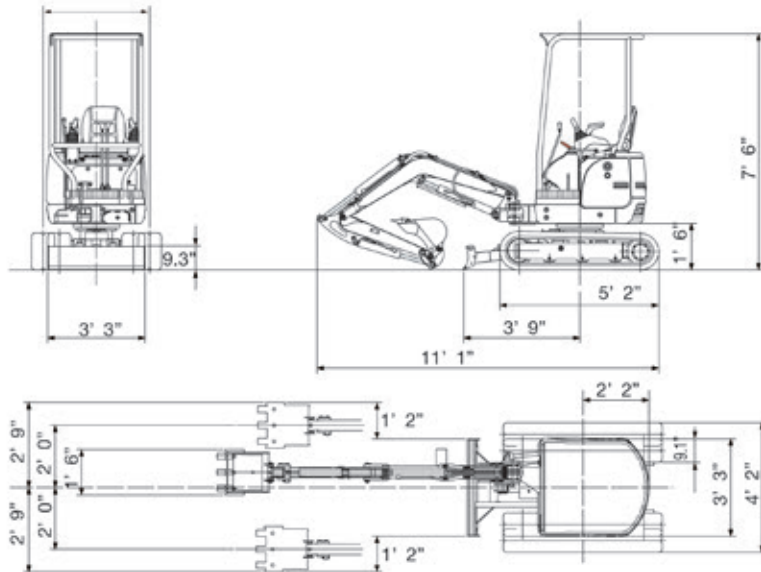
EASY FUEL REFILLING



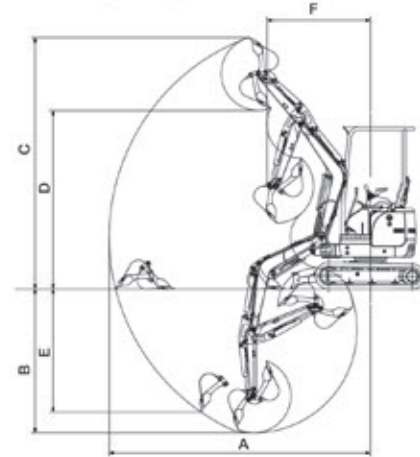
Refilling position (unit : inches)



■ Dimensions



■ Working Range

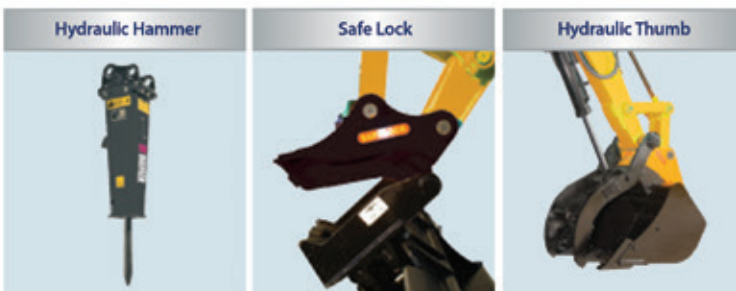


	4-Post Canopy
A Max. digging radius	12'4"
B Max. digging depth	7'0"
C Max. digging height	11'10"
D Max. dumping height	8'5"
E Max. vertical digging depth	5'10"
F Min. front turning radius	4'11"
At right boom swing	4'2"

■ 17VX4 Specifications

Performance		Boom swing system	
Bucket capacity	1.6 cu. ft.	Type	Boom offset with hydraulic cylinder
Bucket width	18"	Swing angle (L/R)	55°/80°
Operating weight: 4-Post	3,583 lbs.	Hydraulic system	
Transportation weight: 4-Post	3,417 lbs.	Pressure	3000 psi
Swing speed	9.5 min ⁻¹	Pump • type/hydraulic flow	2 Piston/2 Gear • 4.5 gal/min x 2 + 3.2 gal/min
Travel speed (low/high)	1.3/2.5 mph	Dozer blade	
Gradeability	30°	Size	37.8" x 9.3"
Ground pressure	3.8 psi	Lift above ground / Drop below ground	10.8"/12"
Max bucket digging force	5,447 lbs.	Max auxiliary flow	
Engine		Auxiliary line	7.7 gal/min
Model	YANMAR 3TNV70		
Rated output	13.42 hp/2,300 rpm		

Optional Attachments:



Features:



Photographs may differ in some cases from actual objects. Specifications are subject to change without notice due to technical improvements or modifications.



COMPACT EXCAVATOR SALES, LLC
 400 Production Court • Elizabethtown, KY 42701
 Phone: 800.583.1447 • Fax: 270.737.0419
 WWW.KATOCES.COM